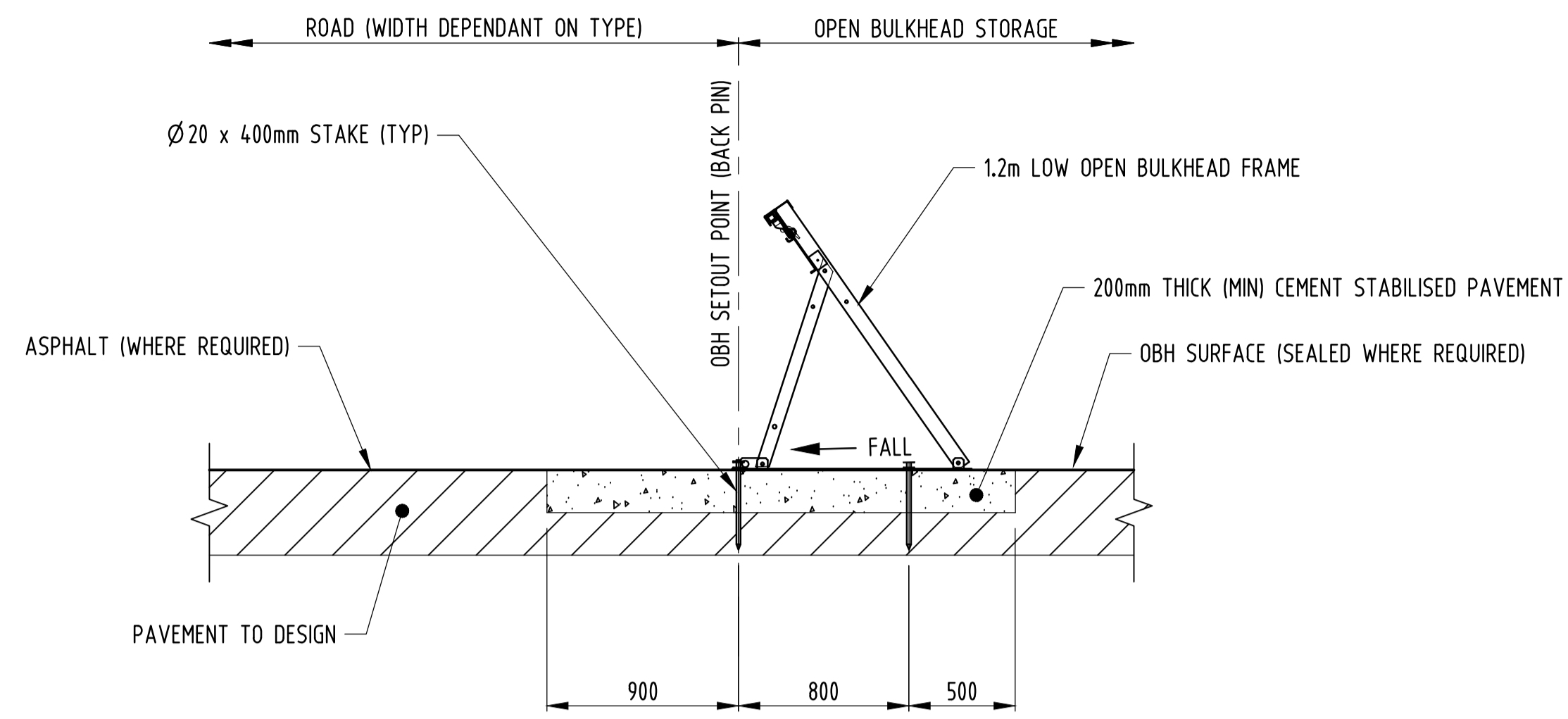
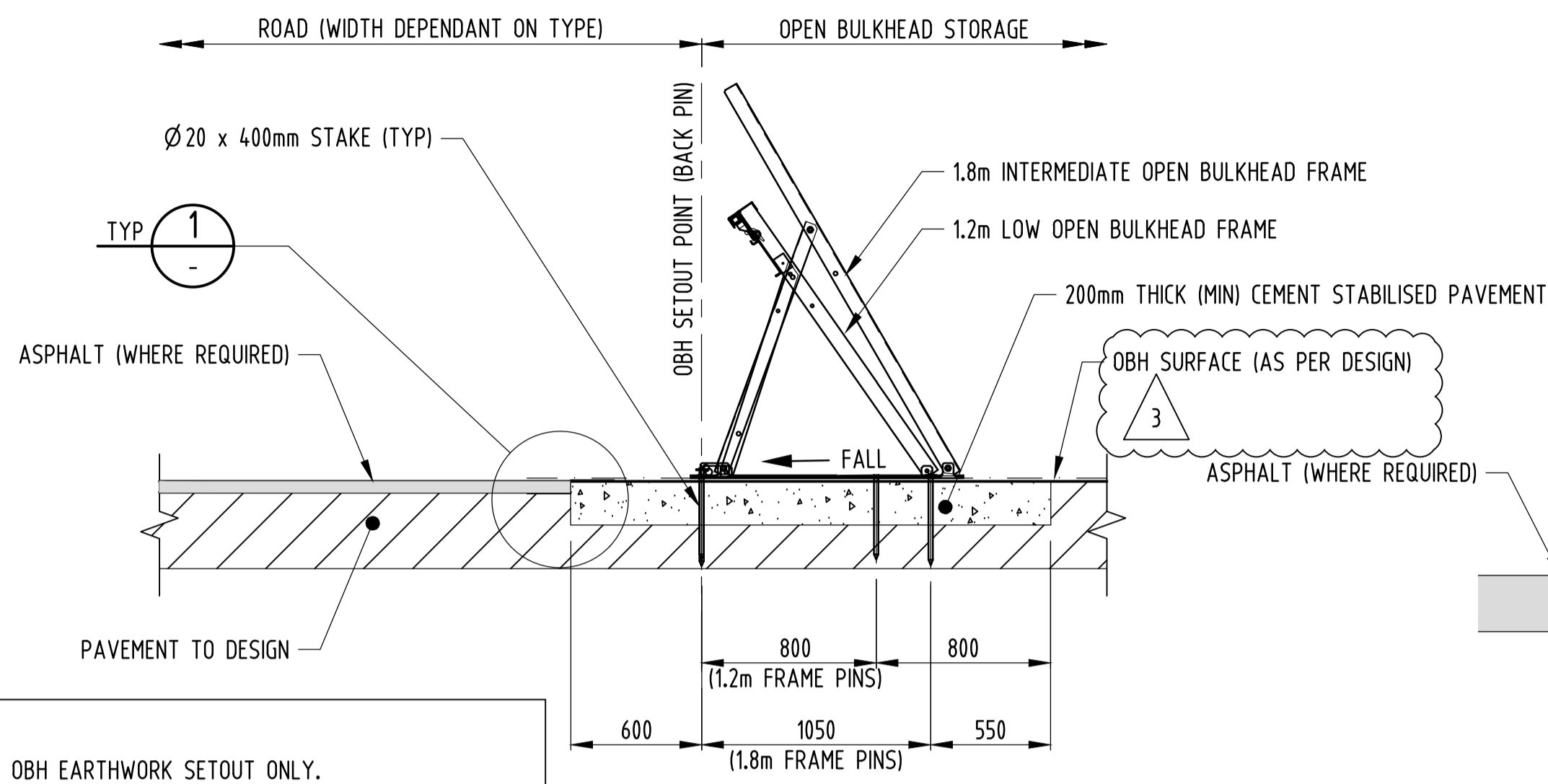


GENERAL NOTES

1. THIS DRAWING IS ISSUED AS A GUIDE ONLY FOR THE PURPOSE OF DESIGN.
2. FOR DETAIL DESIGN CRITERIA PLEASE REFER TO CBH TS10A - DESIGN SPECIFICATION, CIVIL EARTHWORKS, ROADS & DRAINAGE, AND PROJECT SPECIFIC DATA SHEET.

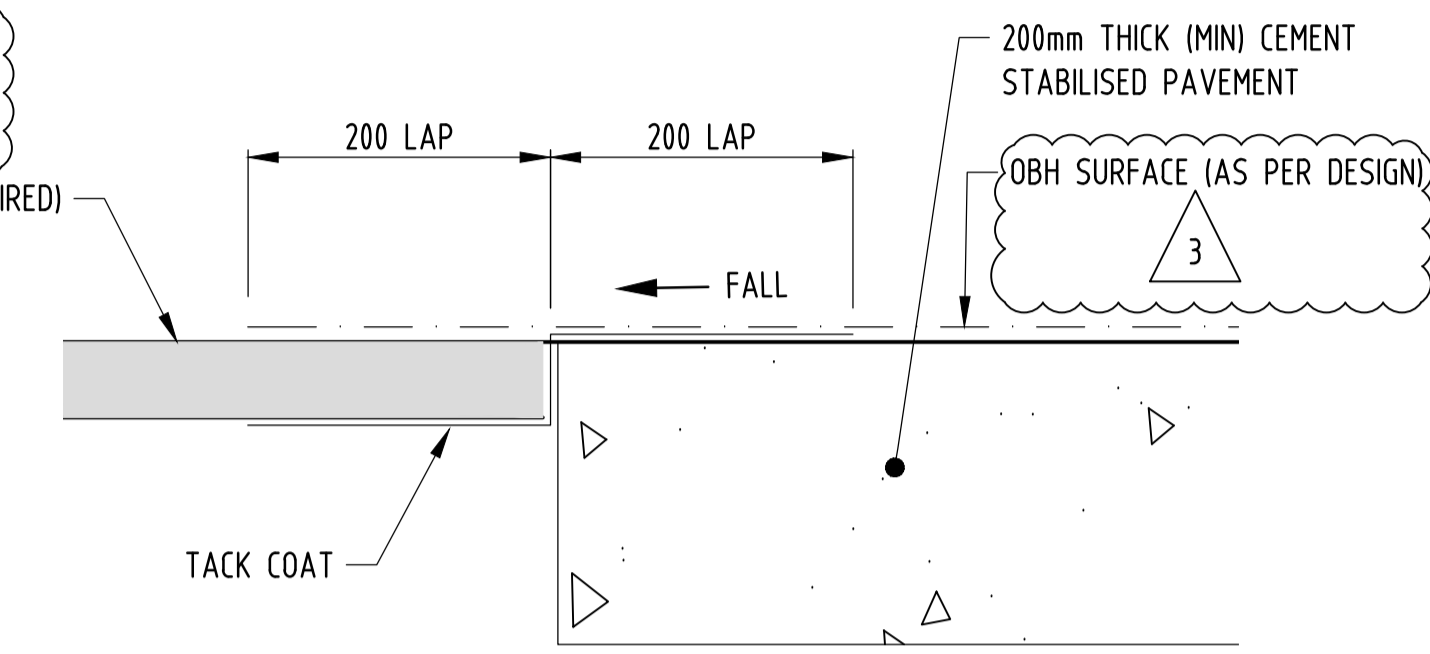


EXISTING LOW OBH FRAME SECTION
1:25
S000-ENG-CI-STD-0001

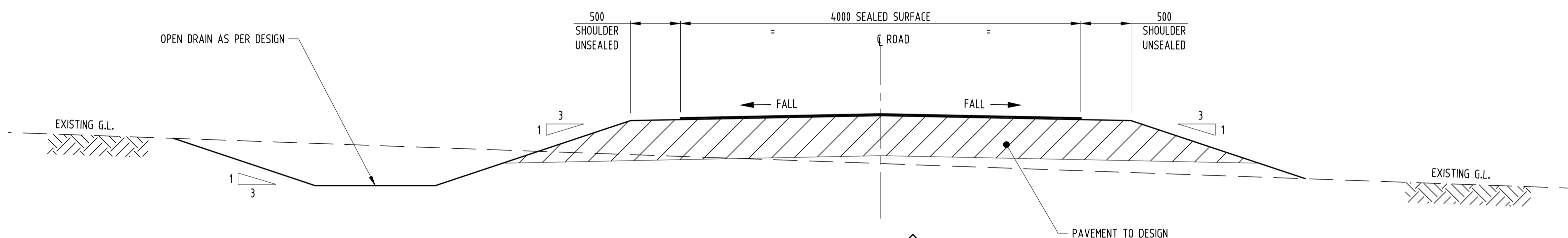


NOTE:
1. FOR NEW OBH EARTHWORK SETOUT ONLY.
2. WHEN REPLACING EXISTING LOW FRAMED OBH WITH 1.8 FRAMES, BACK PIN SETOUT AS PER EXISTING LOW OBH FRAME SECTION.

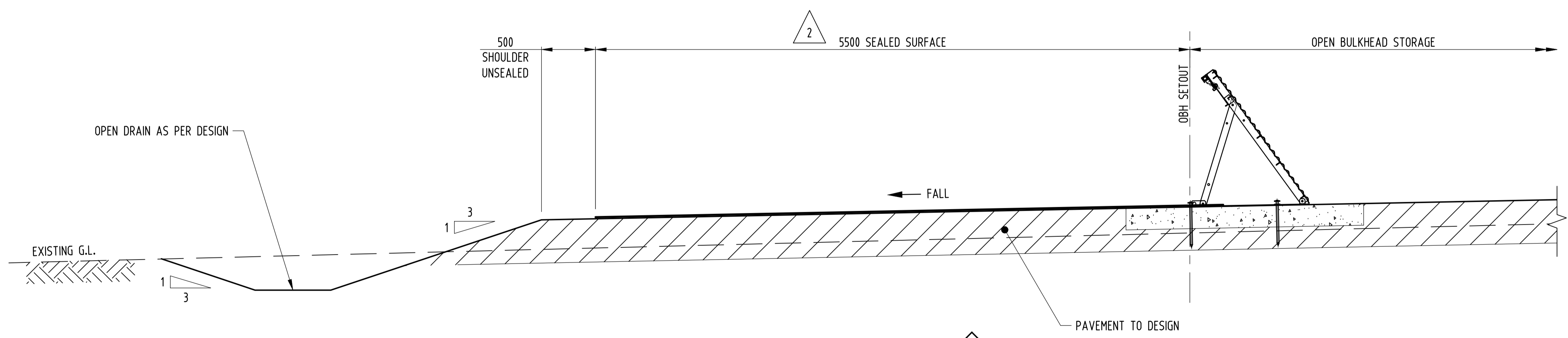
NEW 1.2m & 1.8m FRAME OBH FRAME SECTION
1:25
S000-ENG-CI-STD-0001



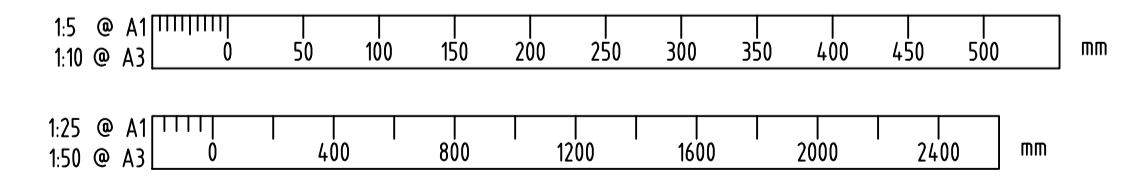
DETAIL 1 TYP
1:5



TYPICAL HAUL ROAD SECTION
1:25
S000-ENG-CI-STD-0001



TYPICAL ACCESS/OUTLOADING ROAD SECTION
1:25
S000-ENG-CI-STD-0001



COPYRIGHT ©
THIS DRAWING AND THE CONTENTS DEPICTED OR WRITTEN THEREON, WHETHER IN WHOLE OR IN PART, IS THE EXCLUSIVE INTELLECTUAL PROPERTY OF CBH GROUP AND SHOULD NOT BE REPRODUCED OR USED FOR ANY PURPOSE WITHOUT THE PRIOR WRITTEN APPROVAL OF CBH GROUP.
DO NOT SCALE FROM THIS DRAWING



CBH GROUP
LEVEL 6
240 ST GEORGE'S TERRACE
PERTH W.A. 6000
PH (08) 9237 9600
FAX (08) 9322 3942

REF DRAWING No.	REFERENCE DRAWING TITLE	REV	DATE	REVISION DESCRIPTION	BY	CHK'D	APP'D
		3	26.11.19	OBH 2 COAT SEAL NOTE REMOVED	JB	YKY	NH
STD-002-0002	ROAD & RAIL - TYPICAL SECTIONS & DETAILS	2	16.01.19	DIMENSION REVISED	JB	YKY	NH
STD-002-1001	SITE ACCESS ROADS - TYPICAL SECTIONS & DETAILS	1	19.11.18	REVISED AS PER SQUAD CHECK & RE-ISSUED FOR USE	JB	YKY	NH
S000-ENG-CI-STD-0001	TYPICAL GRAIN RECEIVAL SITE LAYOUT - DESIGN GUIDE	0	15.10.18	ISSUED FOR USE	JB	YKY	NH

SCALE	DRAWN	PROJECT	CONTRACT No.
AS SHOWN	P. Forrest	TYPICAL	
SHEET A1	YK. Yip		
	N. Harding		

TITLE	DATE	ORG No.	SHEET	REV.
CIVIL TYPICAL DRAWINGS EARTHWORKS AND ROADS TYPICAL GRAIN RECEIVAL SITE LAYOUT SECTIONS AND DETAILS	04.10.10			
	28.11.18			
	28.11.18	S000-ENG-CI-STD-0002	1 OF 1	3